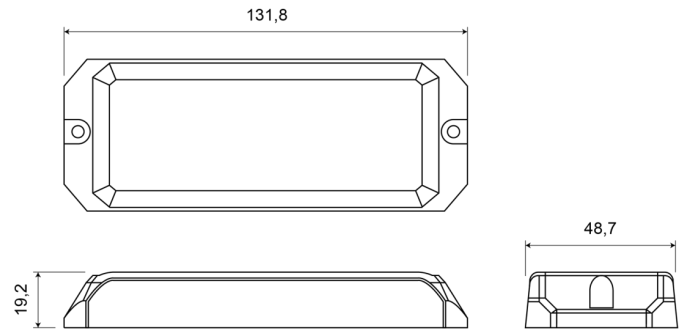


LED FLASHERS

STARLED12-BL

LED Flasher | 12 LEDs | 12-24V | blue

EAN: 5414184690332



Specifications

Color	Blue	Mounting	Surface mount
Colour of lens	Clear	Number of LEDs	12
Connection	Open cable ends	Number of flash patterns	25
Dimensions	131,80 mm x 48,70 mm x 19,20 mm	Operating voltage	12V - 24V
ECE R65 Class 2	Yes	Operation temperature	-30°C / +65°C
EMC R10	Yes	Series	STARLED
Height mm	19,20 mm	Shape	Rectangular/long/elongated
IP-degree	IPX8	Synchronisable	Yes
Length mm	131,80 mm	To be ordered by	1
Length of cable (m)	0,20 m	Weight (kg)	0,196 Kg
Light source	LED	Width mm	48,70 mm