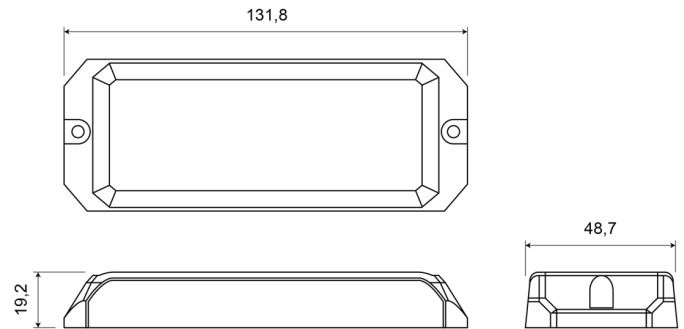


# LED FLASHERS

STARLED12-RO

LED Flasher | 12 LEDs | 12-24V | red

EAN: 5414184690356



## Specifications

Color	Red	Light source	LED
Colour of lens	Clear	Mounting	Surface mount
Connection	Open cable ends	Number of LEDs	12
Dimensions	131,80 mm x 48,70 mm x 19,20 mm	Number of flash patterns	25
ECE R65 Class 2	Yes	Operating voltage	12V - 24V
EMC	EMC R10	Operation temperature	-30°C / +65°C
EMC R10	Yes	Shape	Rectangular/long/elongated
Height mm	19,20 mm	Synchronisable	Yes
IP-degree	IPX8	To be ordered by	1
Length mm	131,80 mm	Weight (kg)	0,196 Kg
Length of cable (m)	0,20 m	Width mm	48,70 mm