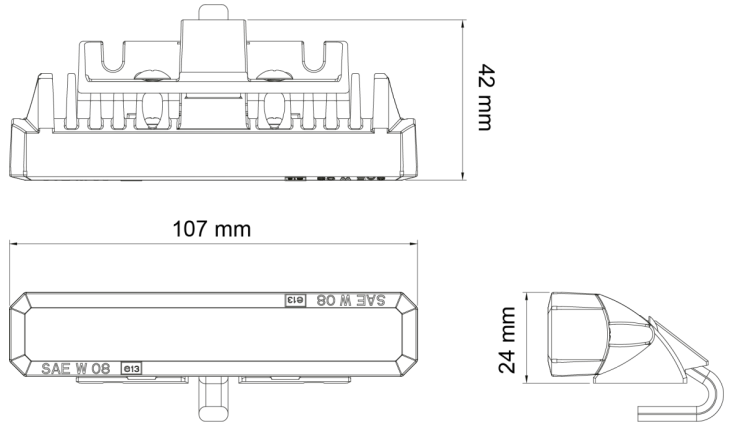


LED FLASHERS

STARLED6P-BL

LED Flasher | 6 LEDs | 12-24V | blue

EAN: 5414184690363



Specifications

Color	Blue	Mounting	Different mounting options
Colour of lens	Clear	Number of LEDs	6
Connection	Open cable ends	Number of flash patterns	5
Dimensions	107 mm x 42 mm x 24 mm	Operating voltage	12V - 24V
ECE R65 Class 2	Yes	Operation temperature	-30°C / +65°C
EMC	EMC R10	Shape	Rectangular/long/elongated
EMC R10	Yes	Supplied with	Mounting screws, gasket, manual
IP-degree	IP67	Synchronisable	Yes
Length of cable (m)	1 m	To be ordered by	1
Light source	LED	Weight (kg)	0,202 Kg