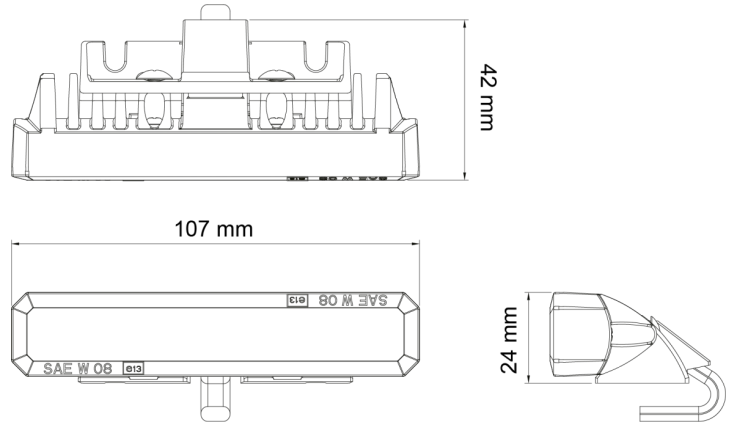


LED FLASHERS

STARLED6P-CR

LED Flasher | 6 LEDs | 12-24V | white

EAN: 5414184690370



Specifications

Color	White	Mounting	Different mounting options
Colour of lens	Clear	Number of LEDs	6
Connection	Open cable ends	Number of flash patterns	19
Dimensions	107 mm x 42 mm x 24 mm	Operating voltage	12V - 24V
ECE R65	No	Operation temperature	-30°C / +65°C
EMC	EMC R10	Shape	Rectangular/long/elongated
EMC R10	Yes	Synchronisable	Yes
IP-degree	IP67	To be ordered by	1
Length of cable (m)	1 m	Weight (kg)	0,202 Kg
Light source	LED		