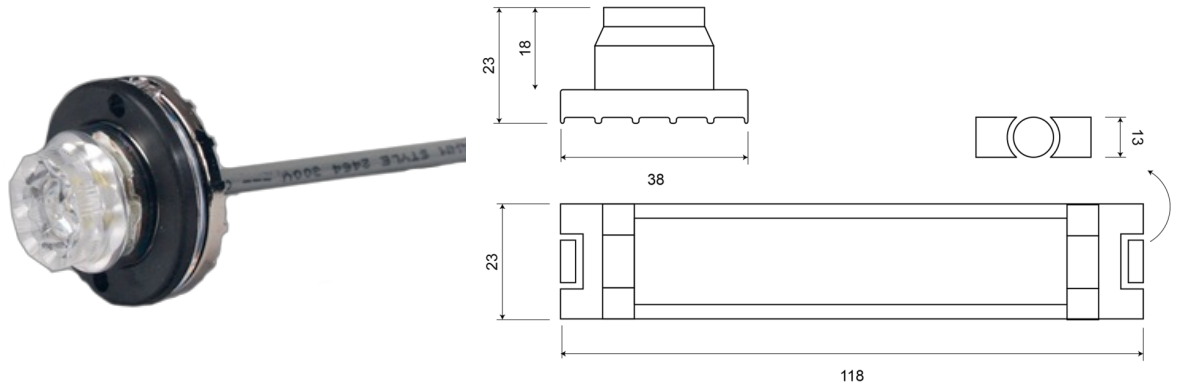


LED FLASHERS

UNDERLED-RO

Round LED Flasher | 6 LEDs | 12-24V | red

EAN: 5414184017719



Specifications

Color	Red	Mounting	Recess mount
Colour of lens	Clear	Number of LEDs	6
Connection	Open cable ends	Number of flash patterns	33
Diameter mm	38 mm	Operating voltage	12V - 24V
Dimensions	Ø = 38 mm	Operation temperature	-40°C / +65°C
ECE R65	No	Shape	Round
EMC	EMC	Supplied with	Mounting screws, gasket, manual
Length mm	23 mm	Synchronisable	Yes
Length of cable (m)	3 m	Waterproof	Yes
Light source	LED	Weight (kg)	0,560 Kg