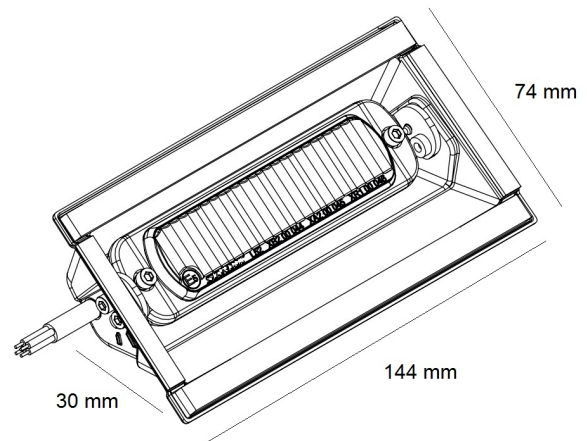


LED FLASHERS

ST6-PILOT-BL-
SMA

Flasher | windscreen | LED | 6 LEDs | 12/24V | blue

EAN: 5414184019485



Specifications

Color	Blue	Mounting	Windscreen - side window - rear window
Colour of lens	Clear	Number of LEDs	6
Connection	Open cable ends	Number of flash patterns	2
Dimensions	144 mm x 74 mm x 30 mm	Operating voltage	12V - 24V
ECE R65 Class 2	Yes	Operation temperature	-30°C / +65°C
EMC	EMC R10	Shape	Rectangular/long/elongated
EMC R10	Yes	Synchronisable	Yes
IP-degree	IP67	To be ordered by	1
Length of cable (m)	1,80 m	Weight (kg)	0,175 Kg
Light source	LED		