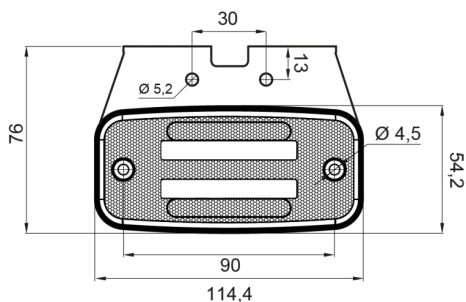
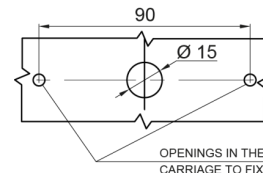
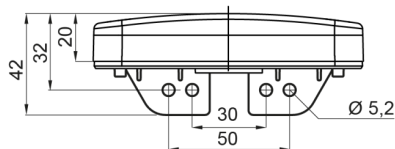


MARKERLIGHTS

326-DV-OR

LED marker light | 12-24V | amber

EAN: 5414184001312



Specifications

Certification	ECE R3+R91	Light source	LED Neon
Color	Amber	Mounting	Surface mount/bracket
Colour of lens	Amber	Mounting side	Side
Connection	Open cable ends	Operating voltage	12V - 24V
Dimensions	114 x 51 (76) x 20 mm	Operation temperature	-30°C / +65°C
EMC	EMC R10	Packing	POS packaging
EMC R10	Yes	Supplied with	Separate bracket
Functions	Side position marker	To be ordered by	1
IP-degree	IP66+IP68	Weight (kg)	0,107 Kg
Length of cable (m)	0,20 m		