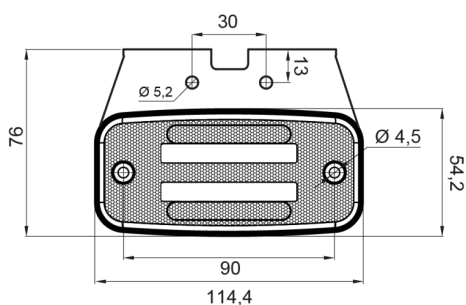
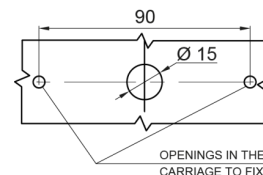
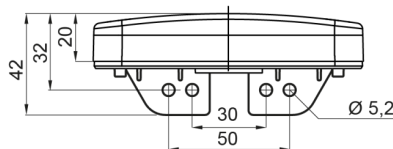


MARKERLIGHTS

326-DV-RO

LED marker light | 12-24V | red

EAN: 5414184001329



Specifications

| | | | |
|----------------|---------------------------|-----------------------|-----------------------|
| Certification | ECE R3+R7 | Light source | LED Neon |
| Color | Red | Mounting | Surface mount/bracket |
| Colour of lens | Red | Mounting side | Rear |
| Connection | Open cable ends | Operating voltage | 12V - 24V |
| Dimensions | 114 x 50,5 (75,5) x 23 mm | Operation temperature | -30°C / +65°C |
| EMC | EMC R10 | Packing | POS packaging |
| EMC R10 | Yes | Supplied with | Separate bracket |
| Functions | Rear end-outline lamp | To be ordered by | 1 |
| IP-degree | IP66+IP68 | Weight (kg) | 0,107 Kg |