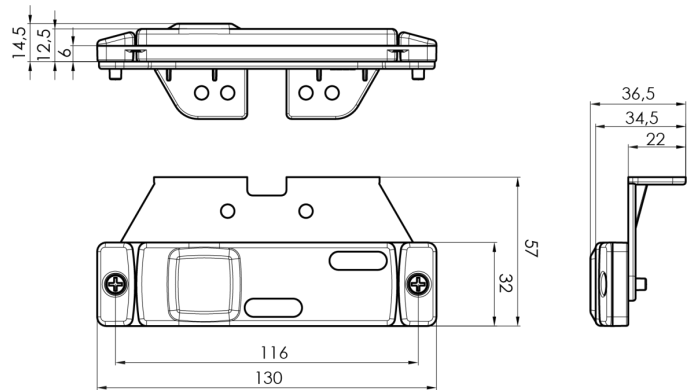


# MARKERLIGHTS

321-DV-OR

LED marker light | 12-24V | amber

EAN: 5414184001275



## Specifications

Certification	ECE R3+R91
Color	Amber
Colour of lens	Amber
Connection	Open cable ends
Dimensions	130 mm x 32 (57) mm x 14.5 mm
EMC	EMC R10
EMC R10	Yes
Functions	Side position marker
Good to know	Equipped with beautiful NEON-look LEDs for a modern and exclusive look
IP-degree	IP66+IP68
Length of cable (m)	0,2 m
Light source	LED Neon

Mounting	Surface mount/bracket
Mounting side	Side
Number of LEDs	2
Operating voltage	12V - 24V
Operation temperature	-30°C / +65°C
Packing	POS packaging
Supplied with	Separate bracket
To be ordered by	1
Weight (kg)	0,061 Kg

## Good to know

Connection wires specially treated to ensure watertightness