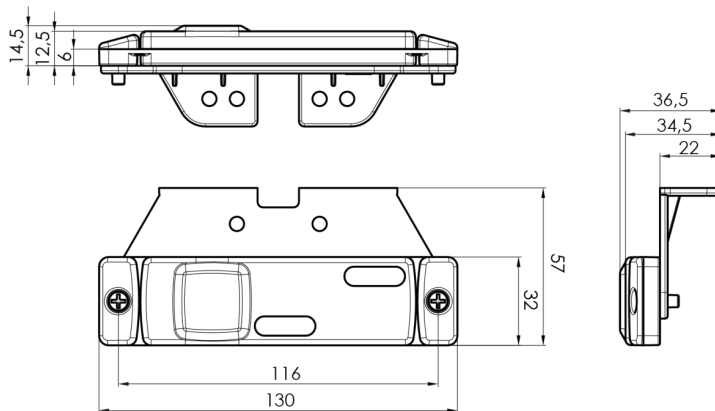
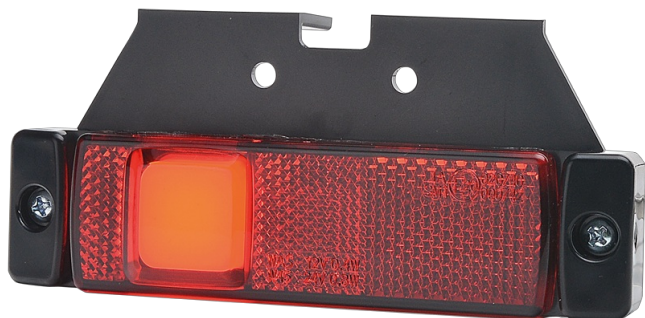


# MARKERLIGHTS

321-DV-RO

LED marker light | 12-24V | red

EAN: 5414184001282



## Specifications

Certification	ECE R3+R7	Light source	LED Neon
Color	Red	Mounting	Surface mount/bracket
Colour of lens	Red	Mounting side	Rear
Connection	Open cable ends	Operating voltage	12V - 24V
Dimensions	130 x 32 (57) x 14.5 mm	Operation temperature	-30°C / +65°C
EMC	EMC R10	Packing	POS packaging
EMC R10	Yes	Supplied with	Separate bracket
Functions	Rear end-outline lamp	To be ordered by	1
IP-degree	IP66+IP68	Weight (kg)	0,061 Kg