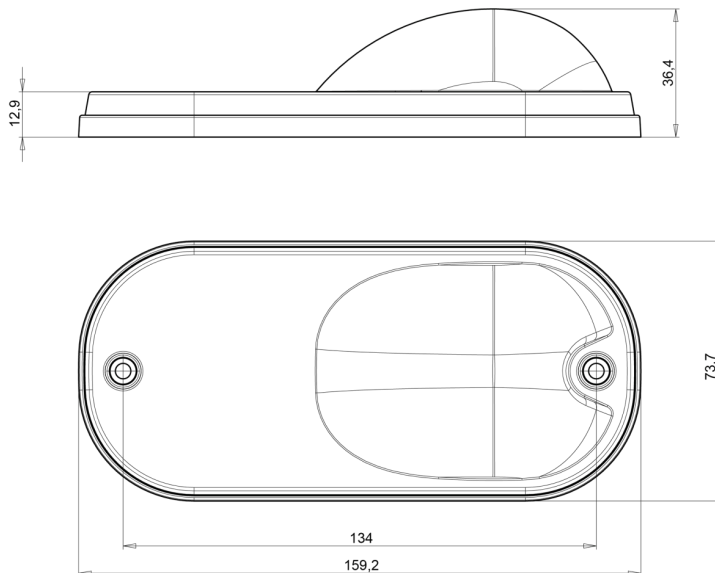


MARKERLIGHTS

247-DV

LED marker light and direction indicator | 12-24V |
amber

EAN: 5414184001749



Specifications

Certification	ECE R3+R91
Color	Amber
Colour of lens	Amber
Connection	Open cable ends
EMC	EMC R10
EMC R10	Yes
Functions	Side position marker with direction indicator
Height mm	74 mm
IP-degree	IP66+IP68
Length mm	159 mm
Light source	LED
Mounting	Surface mount

Mounting side	Side
Operating voltage	12V - 24V
Operation temperature	-30°C / +65°C
Packing	POS packaging
Supplied with	Separate bracket
Thickness mm	36,4 mm
To be ordered by	1
Weight (kg)	0,180 Kg
With Direction indicator	Yes