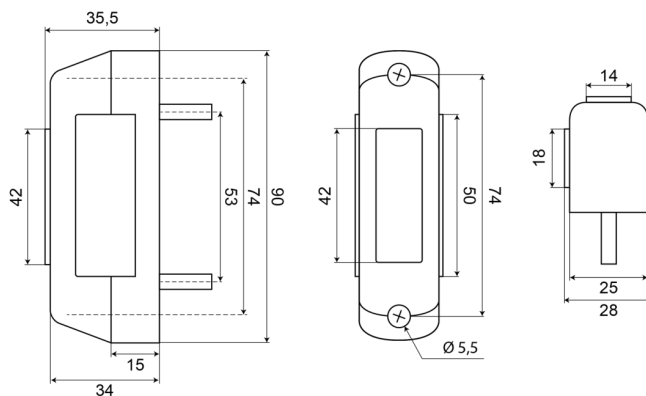


MARKERLIGHTS

241-DV

LED marker light | left+right | 12-24V | red/amber/white

EAN: 5414184001725



Specifications

Certification	ECE R91+R7	Mounting	Surface mount
Color	Amber/red/white	Mounting side	Left & right
Colour of lens	Amber/red/white	Operating voltage	12V - 24V
Connection	Open cable ends	Operation temperature	-30°C / +65°C
EMC	EMC R10	Packing	POS packaging
EMC R10	Yes	Thickness mm	34 mm
Functions	Outline marker 3 functions	To be ordered by	1
Height mm	90 mm	Weight (kg)	0,090 Kg
IP-degree	IP66+IP68	Width mm	28 mm
Light source	LED		