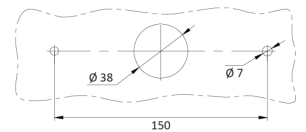
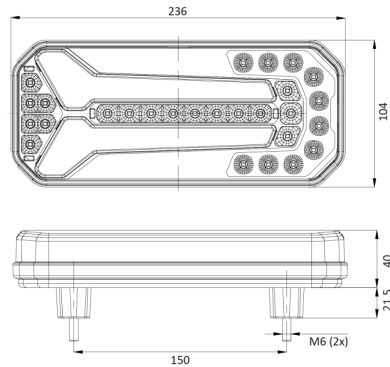
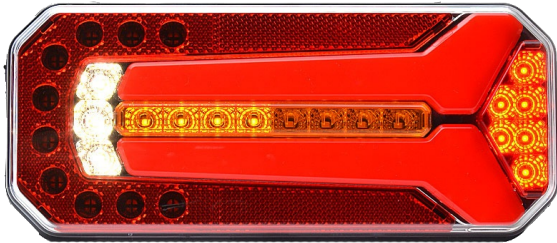


LIGHTS FRONT AND REAR

1750/2

LED rear light | left+right | 12-24V

EAN: 5414184001015



Specifications

Certification	ECE	Operation temperature	-30°C / +65°C
Color	Amber/red/white	Packing	POS packaging
Colour of lens	Amber/red/white	Supplied with	Mounting screws
Connection	Open cable ends	Thickness mm	40 mm
EMC	EMC R10	To be ordered by	1
EMC R10	Yes	Type	Rear lights
Height mm	104 mm	Weight (kg)	0,700 Kg
IP-degree	IP66+IP68	With Dynamic direction indicator	Yes
Length mm	236 mm	With Reversing light	Yes
Length of cable (m)	2 m	With Tail-Stop	Yes
Light source	LED	Without triangular reflector	Yes
Mounting	Surface mount		
Mounting side	Rear - Left & right		
Operating voltage	12V - 24V		