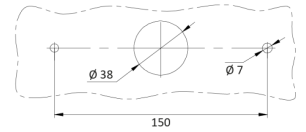
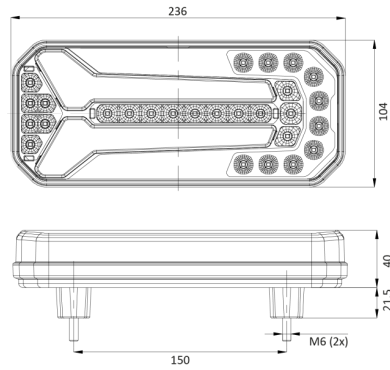


# LIGHTS FRONT AND REAR

1750/3

LED rear light | left+right | 12-24V

EAN: 5414184004542



## Specifications

Certification	ECE	Packing	POS packaging
Color	Amber/red/white	Supplied with	Mounting screws
Colour of lens	Amber/red/white	Thickness mm	40 mm
Connection	Open cable ends	To be ordered by	1
Dimensions	236 x 104 x 40 mm	Type	Rear lights
EMC	EMC R10	Weight (kg)	0,700 Kg
EMC R10	Yes	With Dynamic direction indicator	Yes
IP-degree	IP66+IP68	With Rear fog light	Yes
Length of cable (m)	2 m	With Reversing light	Yes
Light source	LED	With Tail-Stop	Yes
Mounting	Surface mount	Without triangular reflector	Yes
Mounting side	Rear - Left & right		
Operating voltage	12V - 24V		
Operation temperature	-30°C / +65°C		