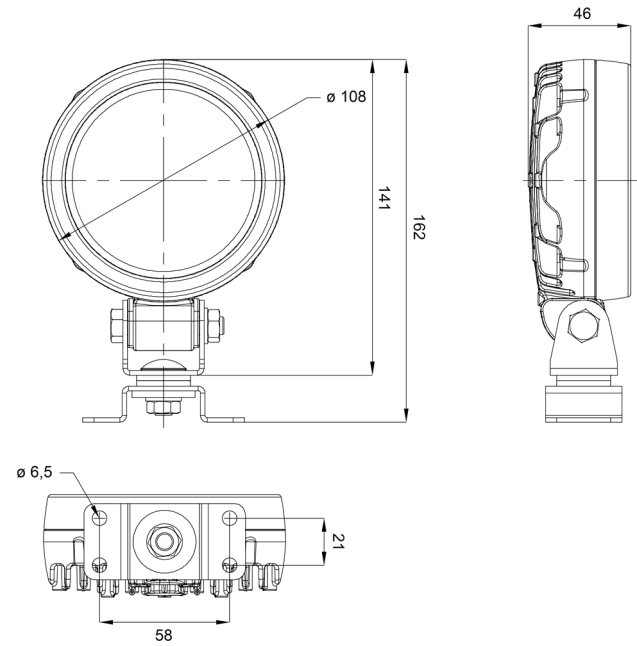


485-RO

LED reverse light | 12-24V | round

EAN: 5414184002005



Specifications

Certification	ECE R23	Mounting	Bolt
Characteristics	100% aluminium housing 'anti-corrosion' with heat conductive black coating	Mounting side	Rear
Colour of lens	Opal	Number of LEDs	18
Connection	Open cable ends	Operating voltage	12V - 24V
Diameter mm	108 mm	Operation temperature	-30°C / +65°C
EMC	EMC R10	Packing	POS packaging
EMC R10	Yes	Supplied with	Omega bracket
Height mm	162 mm	Thickness mm	46 mm
IP-degree	IP66+IP68	To be ordered by	1
Length of cable (m)	2,50 m	Type	Reverse lights
Light source	LED	Watt	10 Watt
Lumen	870	Weight (kg)	0,700 Kg