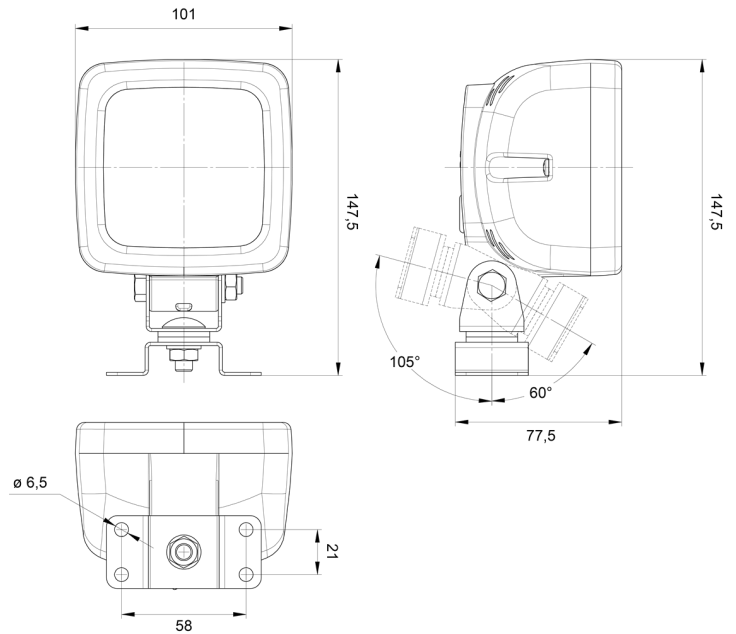


LIGHTS FRONT AND REAR

485-SQ

LED reverse light | 12-24V | square

EAN: 5414184002012



Specifications

Certification	ECE R23	Mounting side	Rear
Characteristics	100% aluminium housing 'anti-corrosion' with heat conductive black coating	Operating voltage	12V - 24V
Colour of lens	Opal	Operation temperature	-30°C / +65°C
Connection	Open cable ends	Packing	POS packaging
EMC	EMC R10	Supplied with	Omega bracket
EMC R10	Yes	Thickness mm	78 mm
Height mm	147 mm	To be ordered by	1
IP-degree	IP66+IP68	Type	Reverse lights
Length of cable (m)	2,50 m	Watt	14 Watt
Light source	LED	Weight (kg)	0,700 Kg
Lumen	1000	Width mm	101 mm
Mounting	Bolt		