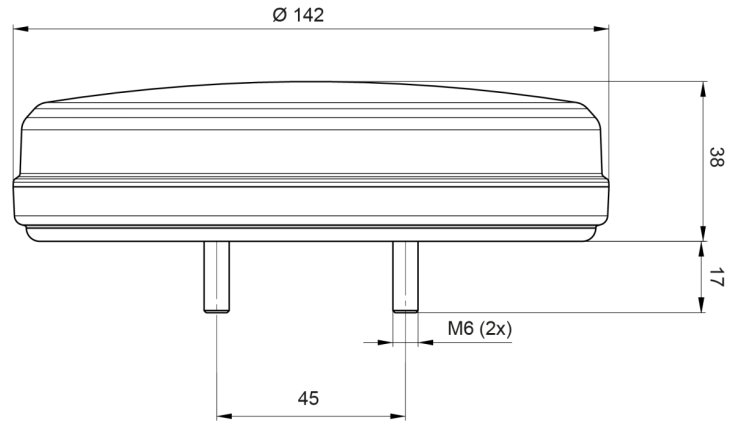


LIGHTS FRONT AND REAR

1300

LED rear light | left+right | 12-24V

EAN: 5414184000933



Specifications

Approval D	Yes	Mounting side	Rear - Left & right
Certification	ECE	Operating voltage	12V - 24V
Color	Amber/red	Operation temperature	-30°C / +65°C
Colour of lens	Amber/red	Packing	POS packaging
Connection	Open cable ends	Supplied with	Mounting screws
Diameter mm	142 mm	Thickness mm	38 mm
EMC	EMC R10	To be ordered by	1
EMC R10	Yes	Type	Rear lights
IP-degree	IP66+IP68	Weight (kg)	0,410 Kg
Length of cable (m)	2 m	With Dynamic direction indicator	Yes
Light source	LED	With Tail-Stop	Yes
Mounting	Surface mount		