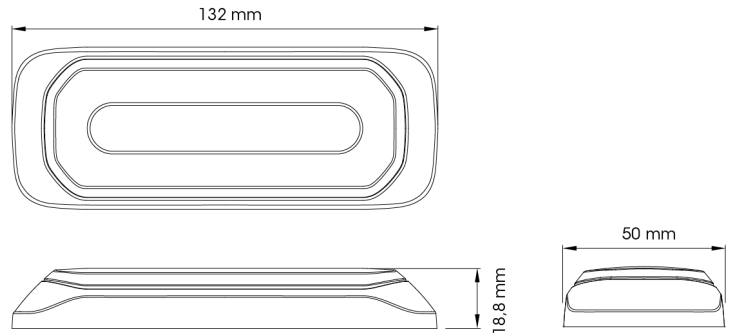
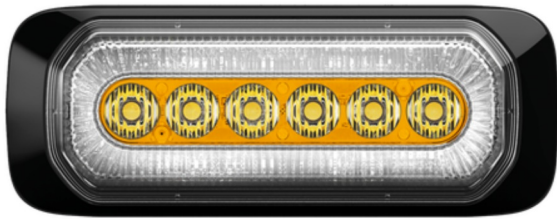


# LED FLASHERS

HALO-OR/CR

LED Flasher | 6 LEDs | 12-24V | amber/white

EAN: 5414184019850



## Specifications

|                     |                    |                          |                                 |
|---------------------|--------------------|--------------------------|---------------------------------|
| Certification       | ECE R65+R7         | Light source             | LED                             |
| Color               | Amber/white        | Mounting                 | Surface mount                   |
| Colour of lens      | Clear              | Number of LEDs           | 6                               |
| Connection          | Open cable ends    | Number of flash patterns | 14                              |
| Dimensions          | 132 x 18,8 x 50 mm | Operating voltage        | 12V - 24V                       |
| ECE R65 Class 1     | Yes                | Shape                    | Rectangular/long/elongated      |
| EMC                 | EMC R10            | Supplied with            | Mounting screws, gasket, manual |
| EMC R10             | Yes                | Synchronisable           | Yes                             |
| IP-degree           | IPX8               | To be ordered by         | 1                               |
| Length of cable (m) | 0,25 m             | Weight (kg)              | 0,300 Kg                        |