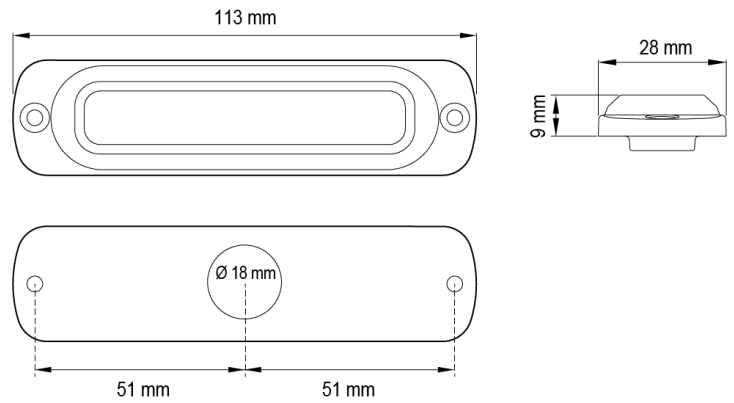


# LED FLASHERS

ST6-O/C

LED Flasher | 6 LEDs | 12-24V | amber/white

EAN: 5414184019447



## Specifications

CISPR 25	12V : CISPR 25 Class 4 - 24V : CISPR 25 Class 2	Mounting	Surface mount
Color	Amber/white	Number of LEDs	6
Colour of lens	Clear	Number of flash patterns	28
Connection	Open cable ends	Operating voltage	12V - 24V
Dimensions	113 mm x 28 mm x 9 mm	Operation temperature	-30°C / +65°C
ECE R65 Class 1	Yes	Shape	Rectangular/long/elongated
EMC	EMC R10	Supplied with	Mounting screws, gasket, manual
EMC R10	Yes	Synchronisable	Yes
IP-degree	IPX7	To be ordered by	1
Length of cable (m)	0,21 m	Weight (kg)	0,140 Kg
Light source	LED		