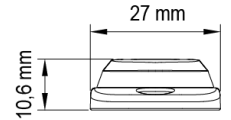
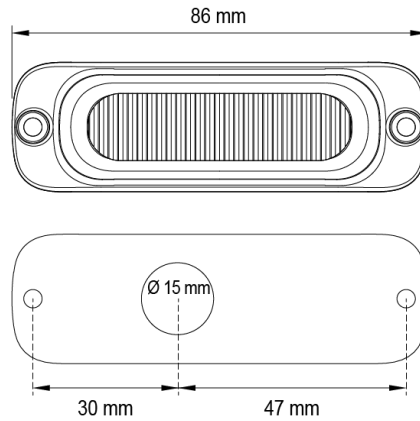
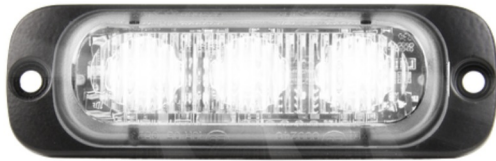


LED FLASHERS

ST3-CR

LED Flasher | 3 LEDs | 12-24V | white

EAN: 5414184019324



Specifications

| | | | |
|---------------------|-------------------|--------------------------|---------------------------------|
| Color | White | Mounting | Surface mount |
| Colour of lens | Clear | Number of LEDs | 3 |
| Connection | Open cable ends | Number of flash patterns | 16 |
| Dimensions | 86 x 27 x 10.6 mm | Operating voltage | 12V - 24V |
| ECE R65 | No | Operation temperature | -30°C / +65°C |
| EMC | EMC R10 | Shape | Rectangular/long/elongated |
| EMC R10 | Yes | Supplied with | Mounting screws, gasket, manual |
| IP-degree | IPX8 | Synchronisable | Yes |
| Length of cable (m) | 0,26 m | To be ordered by | 1 |
| Light source | LED | Weight (kg) | 0,080 Kg |