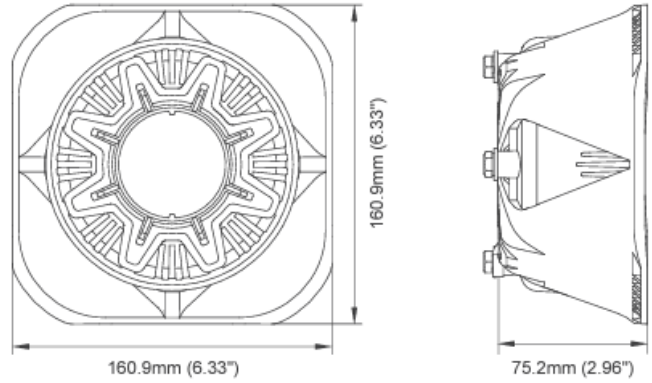


900.000002

Speaker JS100-C1 | 100W | 11 ohm | 125 dB

EAN: 5414184019799



Specifications

Characteristics	Reinforced Nylon housing & cast aluminium driver unit.
Decibel	124,5 dB @ 3 meter
Dimensions	161 mm x 161 mm x 75 mm
IP-degree	IP54
Mounting	Bracket
Operation temperature	-30°C / +65°C

Specifications	11 ohm
To be ordered by	1
Type	Speaker
Watt	100 Watt
Weight (kg)	2,550 Kg