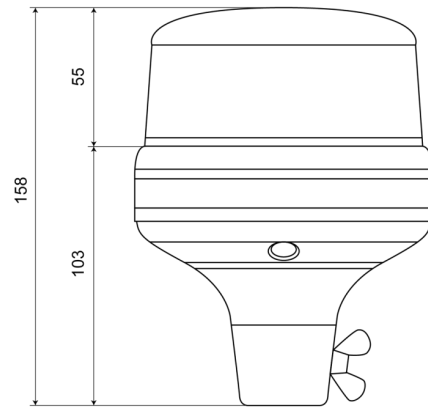


ROTATING BEACONS

510F-DV-ORLITE

Beacon | LED | flexible tube mounting | 11-110V | amber

EAN: 5414184019645



Specifications

Color	Amber	Mounting	Tube mounting, flexible
Connection	Tube mounting	Number of LEDs	3
Diameter mm	130 mm	Number of flash patterns	5
ECE R65 Class1	No	Operating voltage	11V - 110V
EMC	EMC R10	Operation temperature	-30°C / +65°C
EMC R10	Yes	Packing	POS packaging
Height mm	158 mm	Synchronisable	No
Height range	131 - 170 mm	To be ordered by	1
IP-degree	IPX6	Weight (kg)	0,587 Kg
Light source	LED		