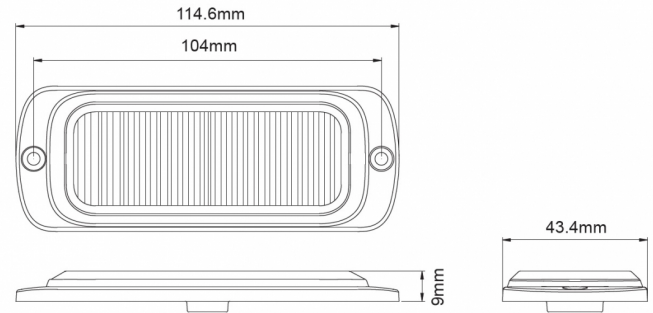


LED FLASHERS

ST12-OR

Flasher | LED | 12 LEDs | 12-24V | amber

EAN: 5414184019546



Specifications

Color	Amber	Mounting	Surface mount
Colour of lens	Clear	Number of LEDs	12
Connection	Open cable ends	Number of flash patterns	25
Dimensions	115 mm x 43 mm x 9 mm	Operating voltage	12V - 24V
ECE R65 Class 2	Yes	Operation temperature	-30°C / +65°C
EMC	EMC R10	Shape	Rectangular/long/elongated
EMC R10	Yes	Supplied with	Mounting screws, gasket
Height mm	9 mm	Synchronisable	Yes
IP-degree	X7	To be ordered by	1
Length mm	115 mm	Weight (kg)	0,145 Kg
Length of cable (m)	0,25 m	Width mm	43 mm
Light source	LED		