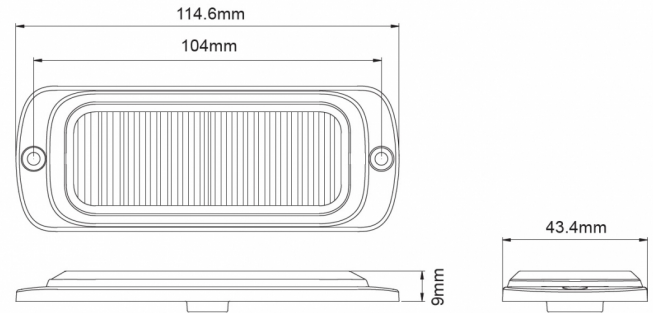
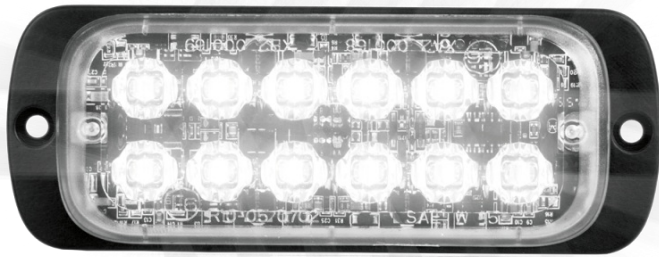


LED FLASHERS

ST12-CR

LED Flasher | 12 LEDs | 12-24V | white

EAN: 5414184019539



Specifications

| | | | |
|---------------------|-----------------------|--------------------------|----------------------------|
| Color | White | Mounting | Surface mount |
| Colour of lens | Clear | Number of LEDs | 12 |
| Connection | Open cable ends | Number of flash patterns | 25 |
| Dimensions | 115 mm x 43 mm x 9 mm | Operating voltage | 12V - 24V |
| ECE R65 | No | Operation temperature | -30°C / +65°C |
| EMC | EMC R10 | Shape | Rectangular/long/elongated |
| EMC R10 | Yes | Supplied with | Mounting screws, gasket |
| Height mm | 9 mm | Synchronisable | Yes |
| IP-degree | X7 | To be ordered by | 1 |
| Length mm | 115 mm | Weight (kg) | 0,145 Kg |
| Length of cable (m) | 0,25 m | Width mm | 43 mm |
| Light source | LED | | |