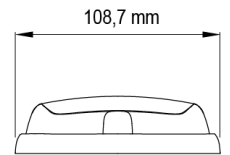
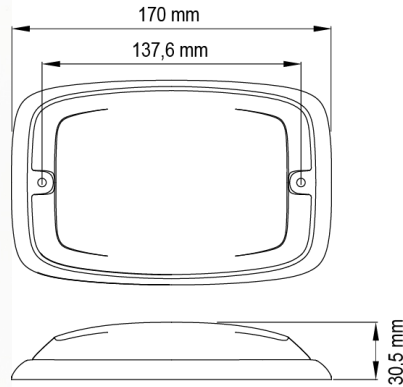


# LED FLASHERS

R6-CR

LED Flasher | 12 LEDs | 12-24V | white

EAN: 5414184565401



## Specifications

Color	White	Mounting	Surface mount
Colour of lens	Clear	Number of LEDs	12
Connection	Open cable ends	Number of flash patterns	16
Dimensions	170 mm x 109 mm x 30,50 mm	Operating voltage	12V - 24V
ECE R65	No	Operation temperature	-30°C / +65°C
EMC	EMC R10	Shape	Rectangular/long/elongated
EMC R10	Yes	Supplied with	Mounting screws, gasket
Height mm	30,55 mm	Synchronisable	Yes
IP-degree	IPX7	To be ordered by	1
Length mm	170 mm	Weight (kg)	0,380 Kg
Length of cable (m)	0,25 m	Width mm	109 mm
Light source	LED		