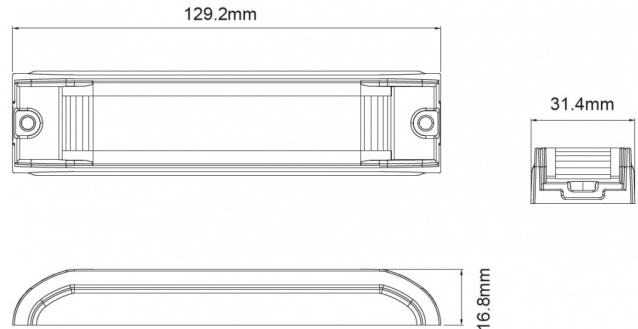
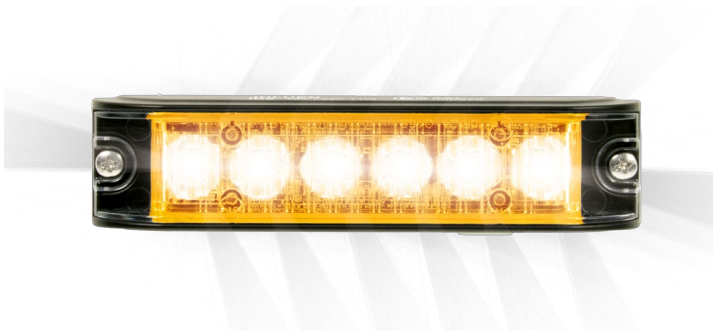


LED FLASHERS

ID6-OR

LED Flasher | 6 LEDs | 12-24V | amber LEDs

EAN: 5414184019928



Specifications

Characteristics	Wrap around optic visible across 180°	Light source	LED
Color	Amber	Mounting	Surface mount
Colour of lens	Clear	Number of LEDs	6
Connection	Open cable ends	Number of flash patterns	15
Dimensions	129 mm x 31 mm x 17 mm	Operating voltage	12V - 24V
ECE R65 Class 1	Yes	Operation temperature	-30°C / +65°C
EMC	EMC R10	Shape	Rectangular/long/elongated
EMC R10	Yes	Supplied with	Mounting screws, gasket
Height mm	17 mm	Synchronisable	Yes
IP-degree	IP67	To be ordered by	1
Length mm	129 mm	Weight (kg)	0,124 Kg
Length of cable (m)	0,25 m	Width mm	31 mm