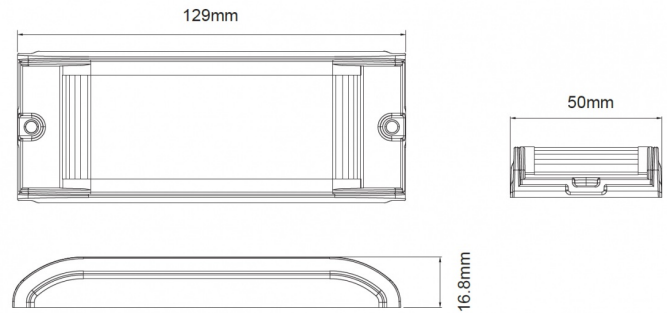


# LED FLASHERS

ID12-OR

LED Flasher | 12 LEDs | 12-24V | amber LEDs

EAN: 5414184019898



## Specifications

Characteristics	Openingshoek van 180° dmv. 'wrap around optic'	Light source	LED
Color	Amber	Mounting	Surface mount
Colour of lens	Clear	Number of LEDs	12
Connection	Open cable ends	Number of flash patterns	15
Dimensions	129 mm x 50 mm x 17 mm	Operating voltage	12V - 24V
ECE R65 Class 1	Yes	Operation temperature	-30°C / +65°C
EMC	EMC R10	Shape	Rectangular/long/elongated
EMC R10	Yes	Supplied with	Mounting screws, gasket
Height mm	17 mm	Synchronisable	Yes
IP-degree	IP67	To be ordered by	1
Length mm	129 mm	Weight (kg)	0,168 Kg
Length of cable (m)	0,25 m	Width mm	50 mm