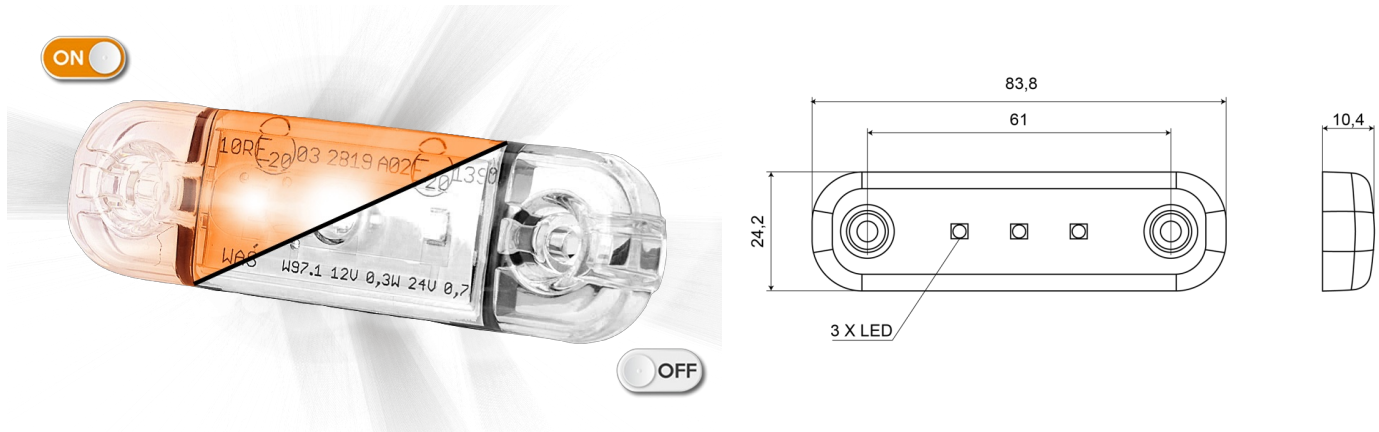


# MARKERLIGHTS

201-DV-CLOR

LED marker light | 3 LEDs | 12-24V | amber

EAN: 5414184004566



## Specifications

Certification	ECE R91	Light source	LED
Color	Amber	Mounting	Surface mount
Colour of lens	Clear	Mounting side	Side
Connection	Open cable ends	Number of LEDs	3
Dimensions	84 x 24 x 10,4 mm	Operating voltage	12V - 24V
EMC	EMC R10	Operation temperature	-30°C / +65°C
EMC R10	Yes	Packing	POS packaging
Functions	Side position marker	To be ordered by	1
IP-degree	IP66+IP68	Weight (kg)	0,030 Kg
Length of cable (m)	0,20 m		