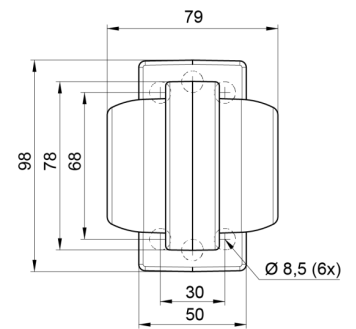
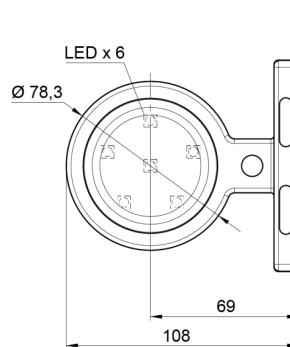


MARKERLIGHTS

MAVERICK2-
RO/CR

LED marker light | left+right | 12-24V | red/white

EAN: 5414184000841



Specifications

Certification	ECE R7	IP-degree	IP66+IP68
Characteristics	Compatible with Gylle lights	Light source	LED
Color	Red/white	Material	Rubber
Colour of lens	Red/clear	Mounting	Surface mount
Connection	Open cable ends	Mounting side	Side
Diameter mm	78 mm	Operating voltage	12V - 24V
Dimensions	98 x 79 x 108 mm	Operation temperature	-30°C / +65°C
EMC	EMC R10	Packing	POS packaging
EMC R10	Yes	To be ordered by	1
Functions	Outline marker 2 functions	Weight (kg)	0,226 Kg