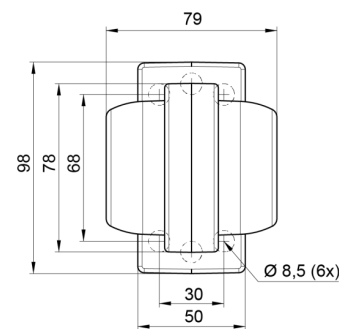
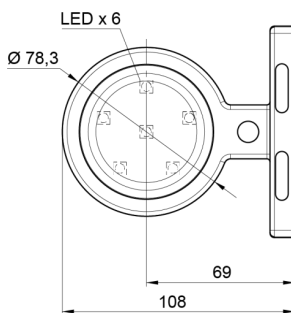


# MARKERLIGHTS

MAVERICK2-  
OR/OR

LED marker light | left+right | 12-24V | amber/amber

EAN: 5414184000827



## Specifications

|                 |                              |                       |               |
|-----------------|------------------------------|-----------------------|---------------|
| Characteristics | Compatible with Gylle lights | Light source          | LED           |
| Color           | Amber/Amber                  | Material              | Rubber        |
| Colour of lens  | Amber                        | Mounting              | Surface mount |
| Connection      | Open cable ends              | Mounting side         | Side          |
| Diameter mm     | 78 mm                        | Operating voltage     | 12V - 24V     |
| Dimensions      | 98 x 79 x 108 mm             | Operation temperature | -30°C / +65°C |
| EMC             | EMC R10                      | Packing               | POS packaging |
| EMC R10         | Yes                          | To be ordered by      | 1             |
| Functions       | Outline marker 2 functions   | Weight (kg)           | 0,226 Kg      |
| IP-degree       | IP66+IP68                    |                       |               |