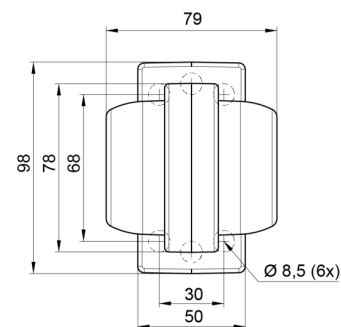
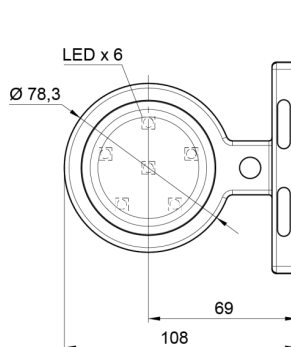


MARKERLIGHTS

MAVERICK2-
OR/RO

LED marker light | left+right | 12-24V | amber/red

EAN: 5414184000834



Specifications

Characteristics	Compatible with Gylle lights	Light source	LED
Color	Amber/red	Material	Rubber
Colour of lens	Amber/red	Mounting	Surface mount
Connection	Open cable ends	Mounting side	Side
Diameter mm	78 mm	Operating voltage	12V - 24V
Dimensions	98 x 79 x 108 mm	Operation temperature	-30°C / +65°C
EMC	EMC R10	Packing	POS packaging
EMC R10	Yes	To be ordered by	1
Functions	Outline marker 2 functions	Weight (kg)	0,226 Kg
IP-degree	IP66+IP68		