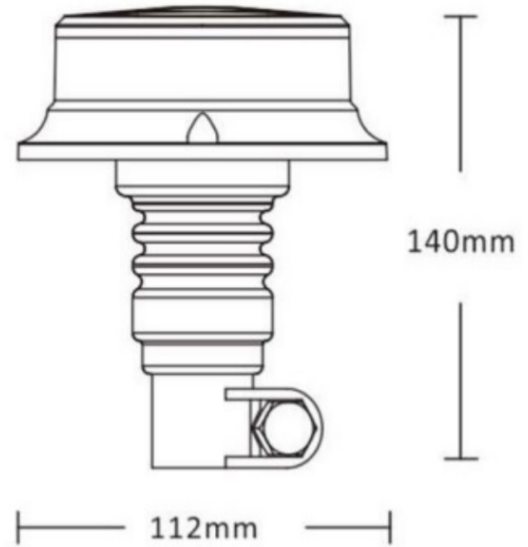


ROTATING BEACONS

500F-DV-CLOR

Beacon | LED | flexible tube mounting | 12-24V | clear lens | amber

EAN: 5414184565470



Specifications

Color	Amber	Number of LEDs	18
Colour of lens	Clear	Number of flash patterns	7 (of which 1 pattern rotating)
Connection	Tube mounting	Operating voltage	12V - 24V
Diameter mm	112 mm	Operation temperature	-30°C / +60°C
ECE R65 Class 1	Yes	Packing	White box with label
EMC	EMC R10	Supplied with	Manual
EMC R10	Yes	Synchronisable	No
Height mm	140 mm	To be ordered by	1
Height range	131 - 170 mm	Weight (kg)	0,350 Kg
IP-degree	IP67		
Light source	LED		
Mounting	Tube mounting, flexible		