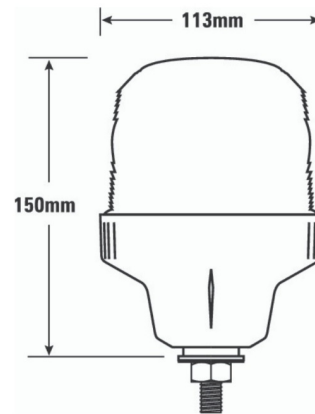


ROTATING BEACONS

622LED-1P-OR

Beacon | LED | 1 bolt mounting | 12-24V | amber

EAN: 5414184002784



Specifications

Color	Amber	IP-degree	IP65
Colour of lens	Amber	Light source	LED
Connection	Open cable ends	Mounting	1 bolt mounting
Diameter mm	113 mm	Number of LEDs	12
Diameter range	131 - 170 mm	Number of flash patterns	1
ECE R65 Class 1	Yes	Operating voltage	12V - 24V
EMC	EMC R10	Operation temperature	-30°C / +65°C
EMC R10	Yes	Synchronisable	No
Height mm	150 mm	To be ordered by	1
Height range	131 - 170 mm	Weight (kg)	0,364 Kg