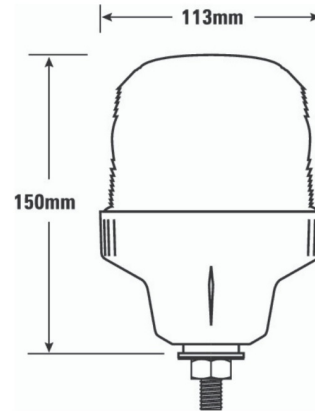


ROTATING BEACONS

622LED-1P-BL

Beacon | LED | 1 bolt mounting | 12-24V | bleu

EAN: 5414184002777



Specifications

Color	Blue	IP-degree	IP65
Colour of lens	Blue	Light source	LED
Connection	Open cable ends	Mounting	1 bolt mounting
Diameter mm	113 mm	Number of LEDs	12
Diameter range	131 - 170 mm	Number of flash patterns	1
ECE R65	No	Operating voltage	12V - 24V
EMC	EMC R10	Operation temperature	-30°C / +65°C
EMC R10	Yes	Synchronisable	No
Height mm	150 mm	To be ordered by	1
Height range	131 - 170 mm	Weight (kg)	0,364 Kg