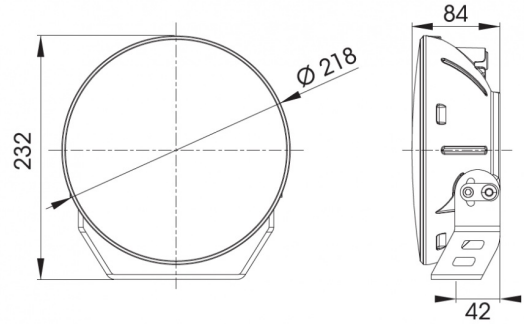


LIGHTS FRONT AND REAR

OCICAT

LED driving beam | dual position light amber+white

EAN: 5414184565548



Specifications

Certification	ECE R112+R7	Mounting	Bolt M8
Color	White	Mounting side	Front
Colour of lens	Clear	Operating voltage	12V - 24V
Connection	Deutsch connector	Operation temperature	-40°C / +60°C
Dimensions	Ø 218 x 232 x 84 mm	Packing	POS packaging
EMC	EMC R10	Raw Lumen	12000
EMC R10	Yes	Reference mark	45
IP-degree	IP66+IP69K	Specifications	215000 candela
Kelvin value	5700K	To be ordered by	1
Length of cable (m)	0,45 m	Type	Driving lights
Light source	LED	Weight (kg)	2,550 Kg
Lumen	10200		