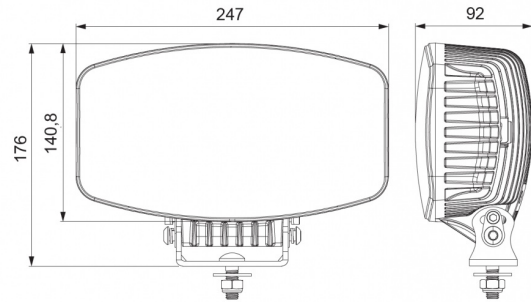


# LIGHTS FRONT AND REAR

FOLDEX

LED driving beam | dualposition light amber+white

EAN: 5414184565517



## Specifications

Certification	ECE R112+R7	Mounting	Bolt M8
Color	White	Mounting side	Front
Colour of lens	Clear	Operating voltage	12V - 24V
Connection	Deutsch connector	Operation temperature	-40°C / +60°C
Dimensions	247 x 176 x 92 mm	Packing	POS packaging
EMC	EMC R10	Raw Lumen	10000
EMC R10	Yes	Reference mark	37.5
IP-degree	IP66+IP69K	Specifications	180180 candela
Kelvin value	6000K	To be ordered by	1
Length of cable (m)	0,45 m	Type	Driving lights
Light source	LED	Weight (kg)	2,35 Kg
Lumen	8500		