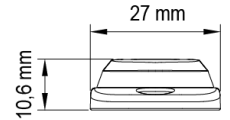
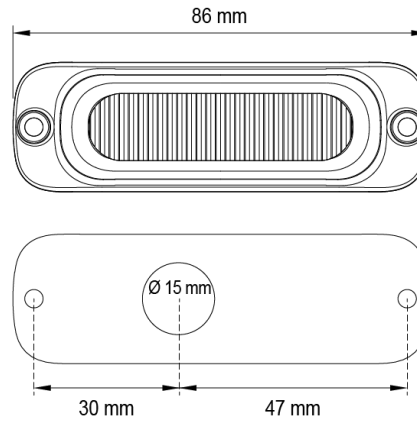


# LED FLASHERS

ST3-GR

Flasher | LED | 3 LEDs | 12-24V | green

EAN: 5414184006287



## Specifications

Color	Green	Mounting	Surface mount
Colour of lens	Clear	Number of LEDs	3
Connection	Open cable ends	Number of flash patterns	16
Dimensions	86 x 27 x 10.6 mm	Operating voltage	12V - 24V
ECE R65	No	Operation temperature	-30°C / +65°C
EMC	EMC R10	Shape	Rectangular/long/elongated
EMC R10	Yes	Supplied with	Mounting screws, gasket, manual
IP-degree	IPX8	Synchronisable	Yes
Length of cable (m)	0,26 m	To be ordered by	1
Light source	LED	Weight (kg)	0,080 Kg