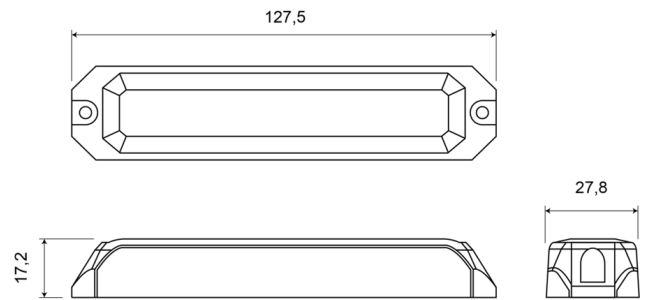


LED FLASHERS

STARLED6-OR-
CL2

LED Flasher | 6 LEDs | 12-24V | amber

EAN: 5414184006317



Specifications

Color	Amber	Number of LEDs	6
Colour of lens	Clear	Number of flash patterns	5
Connection	Open cable ends	Operating voltage	12V - 24V
Dimensions	127,50 mm x 27,80 mm x 17,20 mm	Operation temperature	-30°C / +65°C
ECE R65 Class 2	Yes	Series	STARLED
EMC R10	Yes	Supplied with	Mounting screws, gasket, manual
IP-degree	IP67	Synchronisable	Yes
Length of cable (m)	0,16 m	To be ordered by	1
Light source	LED	Weight (kg)	0,112 Kg
Mounting	Surface mount		