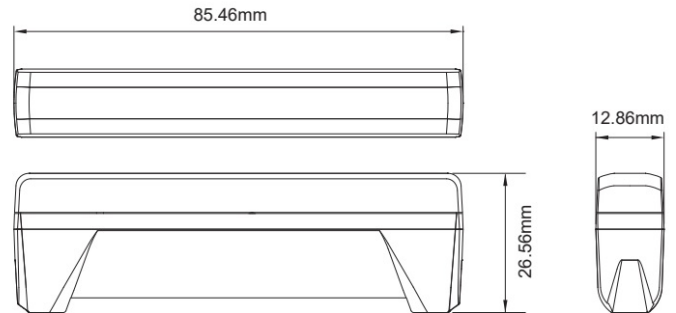


# LED FLASHERS

ED6-RO

LED Flasher | 6 LEDs | 12-24V | red

EAN: 5414184007574



## Specifications

Color	Red	Mounting	Surface mount
Colour of lens	Clear	Number of LEDs	6
Connection	Open cable ends	Number of flash patterns	18
Dimensions	85,46 mm x 26,56 mm x 12,86 mm	Operating voltage	12V - 24V
ECE R65 Class 2	Yes	Operation temperature	-40°C / +65°C
EMC	EMC R10	Series	ED EDGE DAGGER
EMC R10	Yes	Shape	Rectangular/long/elongated
IP-degree	IPX8	Supplied with	Mounting screws, mounting brackets
Length of cable (m)	0,21 m	Synchronisable	Yes
Light source	LED	To be ordered by	1