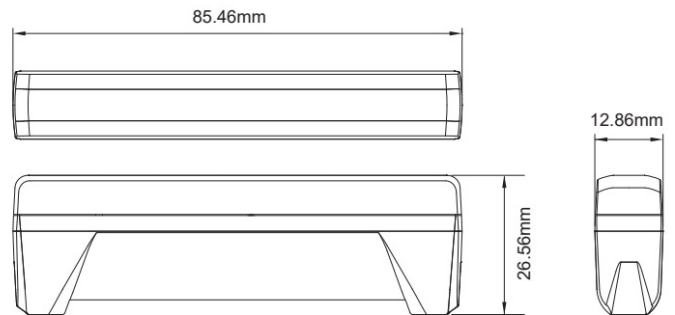
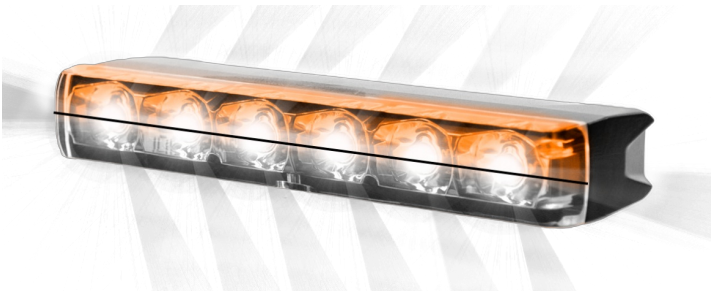


LED FLASHERS

ED6-O/C

LED Flasher | 6 LEDs | 12-24V | amber/white

EAN: 5414184007604



Specifications

Color	Amber/white	Mounting	Different mounting options
Colour of lens	Clear	Number of LEDs	6
Connection	Open cable ends	Number of flash patterns	28
Dimensions	85,46 mm x 26,56 mm x 12,86 mm	Operating voltage	12V - 24V
ECE R65 Class 1	Yes	Operation temperature	-40°C / +65°C
EMC	EMC R10	Shape	Rectangular/long/elongated
EMC R10	Yes	Supplied with	Mounting screws, mounting brackets
IP-degree	IPX8	Synchronisable	Yes
Length of cable (m)	0,21 m	To be ordered by	1
Light source	LED		