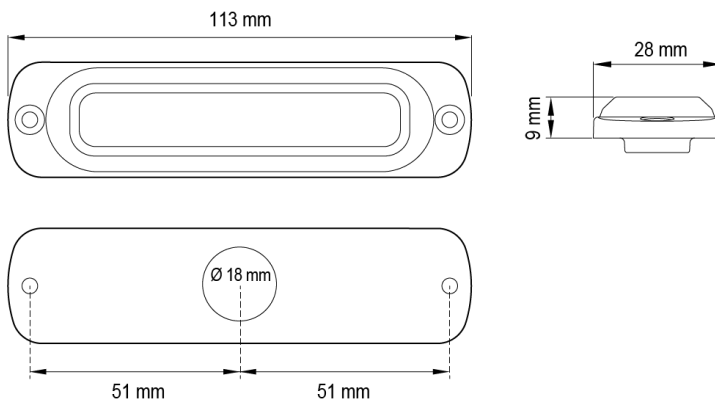


# LED FLASHERS

ST6-OR-CL1

LED Flasher | 6 LEDs | 12-24V | amber | R65 class 1

EAN: 5414184008274



## Specifications

CISPR 25	12V : CISPR 25 Class 3 - 24V : CISPR 25 Class 2
Color	Amber
Colour of lens	Clear
Connection	Open cable ends
Dimensions	113 mm x 28 mm x 9 mm
ECE R65 Class 1	Yes
EMC	EMC R10
EMC R10	Yes
IP-degree	IPX7
Length of cable (m)	0,21 m
Light source	LED
Mounting	Surface mount

Number of LEDs	6
Number of flash patterns	29
Operating voltage	12V - 24V
Operation temperature	-30°C / +65°C
Shape	Rectangular/long/elongated
Supplied with	Mounting screws + seal
Synchronisable	Yes
To be ordered by	1
Watt	10 Watt
Weight (kg)	0,140 Kg