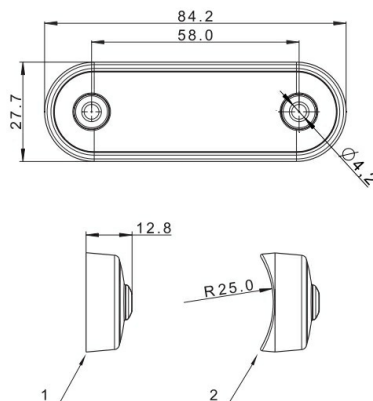


MARKERLIGHTS

273-DV-OR-
DARK

LED marker light | 4 LEDs | 12-24V | amber |
dark/smoked

EAN: 5414184008786



Specifications

Certification	ECE R91	Mounting	Surface mount
Color	Amber	Mounting side	Side
Colour of lens	Smoked	Number of LEDs	4
Connection	Open cable ends	Operating voltage	12V - 24V
Dimensions	84 x 28 x 12,8 mm	Operation temperature	-40°C / +55°C
EMC	EMC R10	Packing	POS packaging
Functions	Side position marker	To be ordered by	1
Length of cable (m)	0,15 m	Waterproof	Yes
Light source	LED	Weight (kg)	0,042 Kg