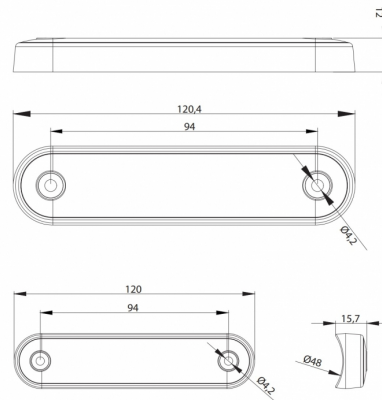


# MARKERLIGHTS

273-DV-OR-  
DARK-L

LED marker light | 8 LEDs | 12-24V | amber |  
dark/smoked

EAN: 5414184008816



## Specifications

|                     |                          |
|---------------------|--------------------------|
| Certification       | ECE R91                  |
| Color               | Amber                    |
| Colour of lens      | Smoked                   |
| Connection          | Open cable ends          |
| Dimensions          | 120 mm x 28 mm x 12,8 mm |
| EMC                 | EMC R10                  |
| Functions           | Side position marker     |
| Length of cable (m) | 0,15 m                   |
| Light source        | LED                      |

|                       |               |
|-----------------------|---------------|
| Mounting              | Surface mount |
| Mounting side         | Side          |
| Number of LEDs        | 8             |
| Operating voltage     | 12V - 24V     |
| Operation temperature | -40°C / +55°C |
| Packing               | POS packaging |
| To be ordered by      | 1             |
| Waterproof            | Yes           |
| Weight (kg)           | 0,064 Kg      |