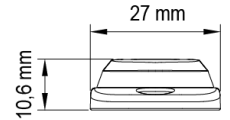
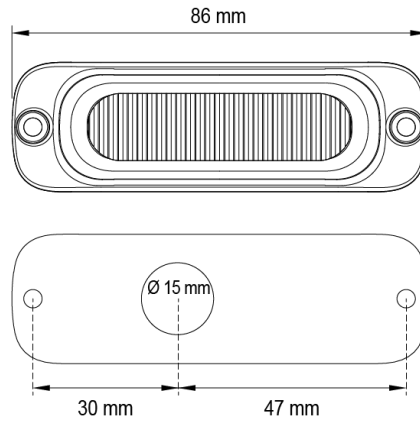


LED FLASHERS

ST3-BL-CRUISE

LED Flasher | 3 LEDs | cruise | 12-24V | blue

EAN: 5414184636071



Specifications

Color	Blue	Number of LEDs	3
Colour of lens	Clear	Number of flash patterns	16
Connection	Open cable ends	Operating voltage	12V - 24V
Dimensions	86 x 27 x 10.6 mm	Operation temperature	-30°C / +65°C
ECE R65 Class 1	Yes	Shape	Rectangular/long/elongated
EMC R10	Yes	Supplied with	Mounting screws, gasket, manual
IP-degree	IPX8	Synchronisable	Yes
Length of cable (m)	0,26 m	To be ordered by	1
Light source	LED	Weight (kg)	0,080 Kg
Mounting	Surface mount		