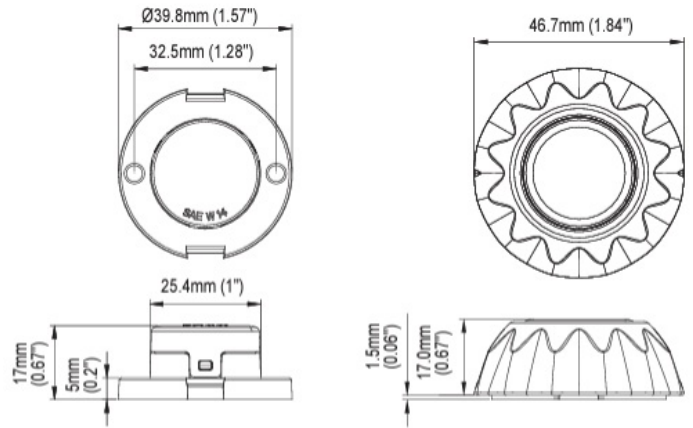


# LED FLASHERS

HIDE-FAL03-BL

LED Flasher | round | 3 LEDs | 12-24V | blue

EAN: 5414184616509



## Specifications

|                |                 |                          |           |
|----------------|-----------------|--------------------------|-----------|
| Color          | Blue            | IP-degree                | IPX7      |
| Colour of LEDs | Blue            | Mounting                 | Screwed   |
| Colour of lens | Clear           | Number of LEDs           | 3         |
| Connection     | Open cable ends | Number of flash patterns | 12        |
| Diameter mm    | 46,7 mm         | Operating voltage        | 12V - 24V |
| EMC R10        | Yes             | Shape                    | Round     |
| Height mm      | 17 mm           | Synchronisable           | Yes       |