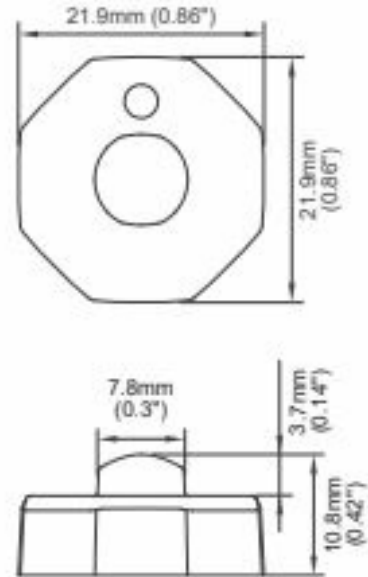


LED FLASHERS

BL-DV-BL

Button-light | LED | set of 4 | 12-24V | blue

EAN: 5414184403628



Specifications

Color	Blue
Colour of lens	Clear
Connection	Open cable ends
Dimensions	22 mm x 22 mm x 11 mm
ECE R65 Class 1	Yes
EMC R10	Yes
IP-degree	IP67, IP69K
Length of cable (m)	0,2 m

Light source	LED
Mounting	Surface mount
Number of LEDs	1
Number of flash patterns	9
Operating voltage	12V - 24V
Shape	Round
Synchronisable	Yes
Watt	3,3 Watt

Good to know

Supplied in a set of 4 pieces - to comply with the R65 regulation.