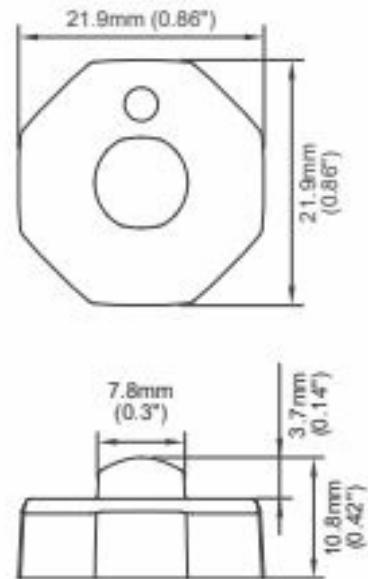


LED FLASHERS

BL-DV-OR

Button-light | LED | set of 4 | 12-24V | amber

EAN: 5414184779778



Specifications

Color	Amber	Number of LEDs	1
Colour of lens	Clear	Number of flash patterns	9
Connection	Open cable ends	Operating voltage	12V - 24V
Dimensions	22 mm x 22 mm x 11 mm	Shape	Round
ECE R65 Class 1	Yes	Synchronisable	Yes
EMC	EMC R10	Synchronisable	Yes
IP-degree	IP67, IP69K	Watt	3,3 Watt
Length of cable (m)	0,20 cm		
Light source	LED		
Mounting	Surface mount		