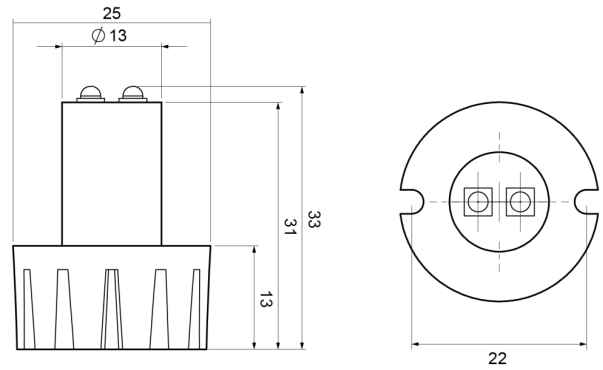


LED FLASHERS

HIDEFLASH-RO

LED Flasher | 2 LEDs | 12-24V | red

EAN: 5414184302204



Specifications

Color	Red	Mounting	Recess mount
Colour of lens	Clear	Number of LEDs	2
Connection	Open cable ends	Number of flash patterns	21
Current draw Amp	0,50 Amp	Operating voltage	12V - 24V
Dimensions	25 mm x 33 mm x 22 mm	Shape	Round
ECE R65	No	Synchronisable	Yes
EMC	EMC R10	To be ordered by	1
EMC R10	Yes	Weight (kg)	0,174 Kg
Length of cable (m)	0,30 m		
Light source	LED		