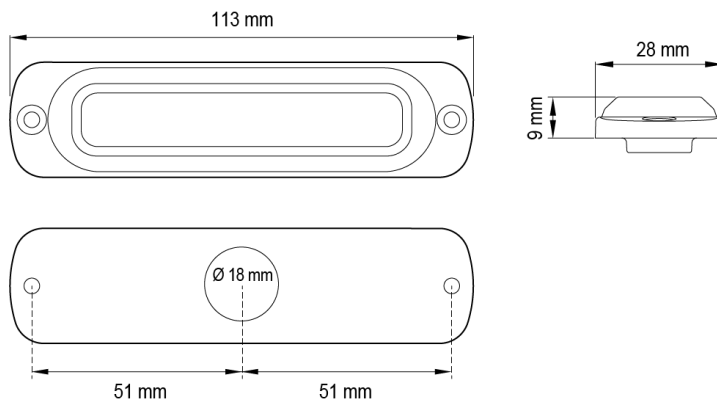


# LED FLASHERS

ST6-BL-CL1-T

LED Flasher | 6 LEDs | 12-24V | blue | smoked

EAN: 5414184207318



## Specifications

CISPR 25	12V : CISPR 25 Class 3 - 24V : CISPR 25 Class 2	Number of flash patterns	29
Color	Blue	Operating voltage	12V - 24V
Colour of lens	Smoked	Operation temperature	-30°C / +65°C
Connection	Open cable ends	Shape	Rectangular/long/elongated
Dimensions	113 mm x 28 mm x 9 mm	Supplied with	Mounting screws, gasket, manual
ECE R65 Class 1	Yes	Synchronisable	Yes
EMC R10	Yes	To be ordered by	1
IP-degree	IPX7	Weight (kg)	0,140 Kg
Length of cable (m)	0,21 m		
Light source	LED		
Mounting	Surface mount		
Number of LEDs	6		