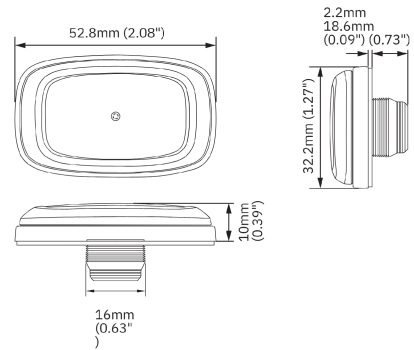


LED FLASHERS

REACTOR-OR

Flasher Reactor | LED | 4 LEDs | 12-24V | amber

EAN: 5414184969131



Specifications

CISPR 25	12V : CISPR 25 Class 3 - 24V : CISPR 25 Class 2	Number of flash patterns	18
Color	Amber	Operating voltage	12V - 24V
Colour of lens	Clear	Operation temperature	-40°C / +65°C
Connection	Open cable ends	Shape	Rectangular/long/elongated
Dimensions	53 mm x 32 mm x 10 mm	Supplied with	3M double-sided mounting tape
ECE R65 Class 1	Yes	Synchronisable	Yes
EMC R10	Yes	To be ordered by	1
IP-degree	IPX9K, IPX7	Weight (kg)	0,025 Kg
Length of cable (m)	0,26 m		
Light source	LED		
Mounting	Surface mount		
Number of LEDs	4		